

SOLIDWORKS TRAINING COURSES SUMMARY

Exclusive from Conceptia Konnect, SOLIDWORKS Productivity Enhancement Tools course has been developed to automate the design process & deliver the product faster to market.

Prerequisites:

1. Knowledge of SOLIDWORKS and basic mechanical engineering concepts is recommended...
2. The engineer should be completed this SOLIDWORKS Basics Training.

SOLIDWORKS Electrical harness Course Details: -

The world's best products get their start in SOLIDWORKS. Find out why industry leaders are using the SOLIDWORKS solutions to not just design better but smarter, and beat their competitors to market. So we have many productivity enhancement tools which helps designer to automate the design process

Introduction

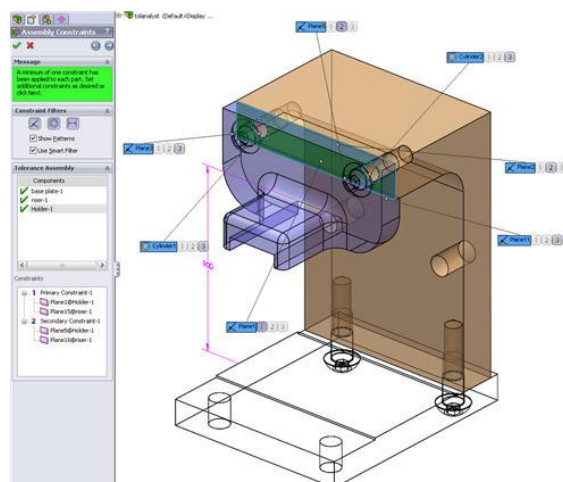
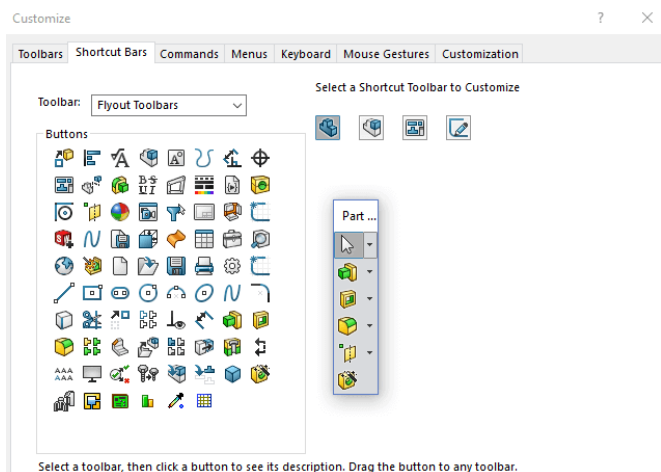
- About This Course
- What is SOLIDWORKS?
- Introduction on SOLIDWORKS CAD
- Course Design Philosophy
- About the Training
- Build Model

Tools Options

- CAD Standards
- Templet customization
- Files Locations
- Design Libraries
- Smart Components
- Parts & Assembly Configurations
- Design Table
- Tool Bar customization
- Short cut tool bars

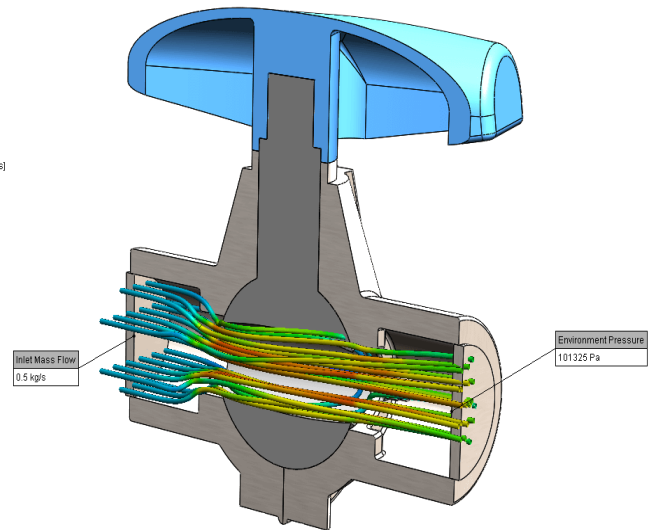
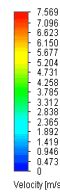
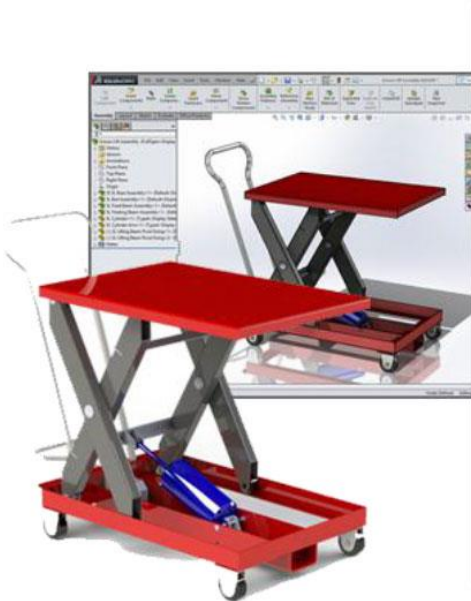
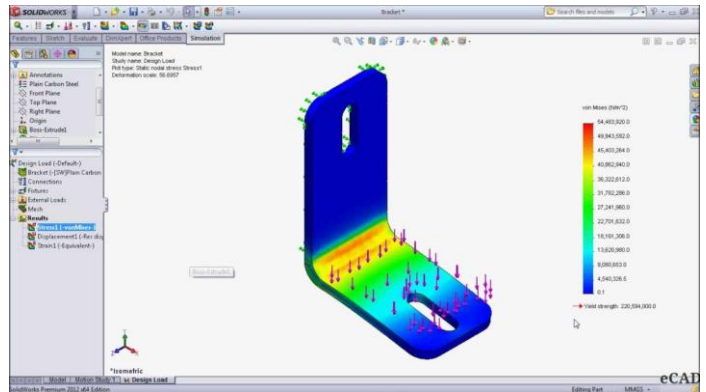
Productivity Enhancement Tools

- Tool Box Usage
- Tool Box customization
- Tool Box utilities
- Feature Works® Introduction
- Design Checker
- SOLIDWORKS Task Scheduler
- Rendering options
- Circuit Works (ECAD to MCAD)
- Converting 2D to 3D
- Coasting Introduction
- SOLIDWORKS Tool stack up analysis



SOLIDWORKS Xpress Tools

- DriveWorks Xpress
- Simulation Xpress
- Flow Xpress
- DFM Xpress



NOTE: For More Details feel free to contact us

Mr. Vinay.S

Manager – Technical.

vinay@ckonnect.in

8884411856, 9886755854