

SOLIDWORKS TRAINING COURSE SUMMARY

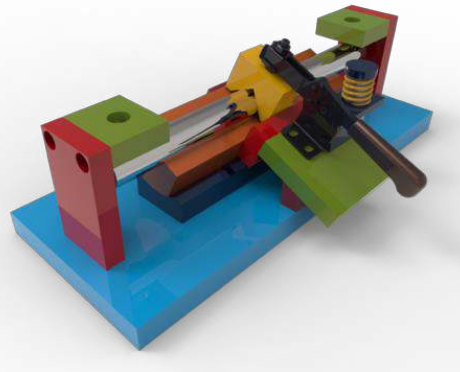
SOLIDWORKS Advance course gives you all the power of SOLIDWORKS Foundation course with additional capabilities that increase productivity, ensure accuracy, and help you communicate your design information more effectively. It also provides you the productivity Enhancement tool built upon the industry best practice;

Prerequisites: SOLIDWORKS Basics

SOLIDWORKS ADVANCE

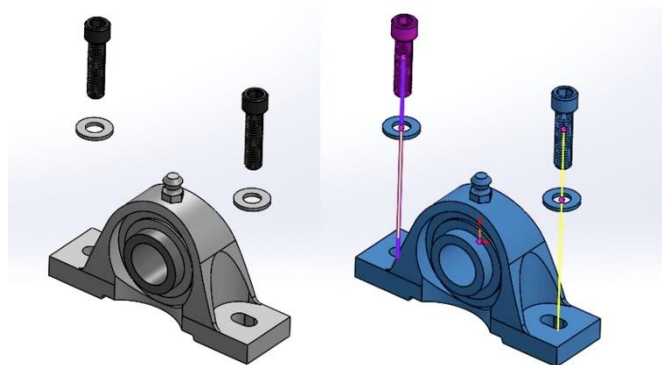
Multibody Design Techniques

- Multibody Techniques
- Creating a Multibody
- Tool Body technics
- Combining Bodies
- Local Operations
- Feature Scope
- Indent Feature
- Save Bodies to Assembly



Working with Curves & Splines

- Splines
- Adding Spline Relations
- Fully Defining Splines
- Style Spline
- Curve Features
- Sweep along with 3D Path
- Helix Curve
- Projected curves
- Composite Curves

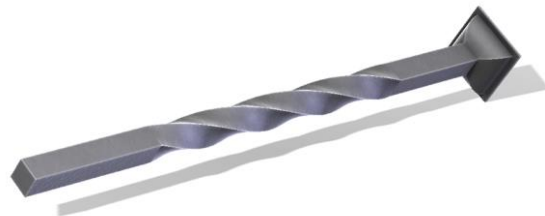


Library Feature Parts

- Library Feature Parts
- Designing a Library Feature Part
- Saving a Library Feature Part
- System Options / Document Properties
- Library Feature File Locations

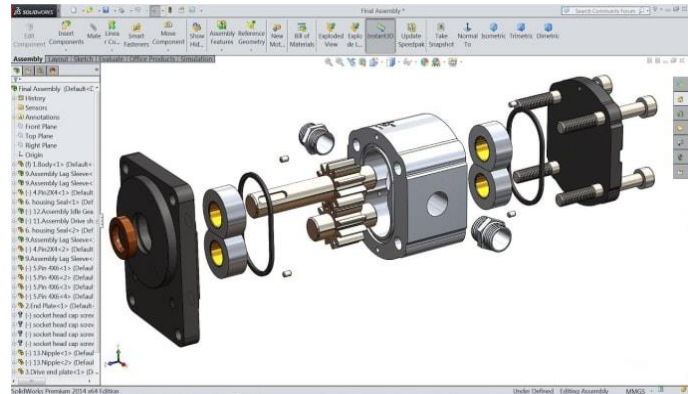
Introduction to Sweeping and Loft

- Sweep Requirements
- Sweep with Guide Curves
- Profile Orientation
- Follow Path / Keep Normal Constant
- Loft Feature
- Preparation of the Profiles
- Additional Curves in Loft



Top-Down Assembly Modelling

- Top-Down Assembly Modelling
- Inserting New part into assembly
- Locating the new part components
- Virtual part
- Building In-context Features
- External references
- Breaking & locking the Reference
- In place Mate



Smart Fasteners & Smart Components

- Hole series
- Smart Components
- Smart Fasteners Settings
- Hole Series Components
- Make Smart Component
- Inserting Smart Features
- Using Auto Size
- Tool Box
- Using Standard components

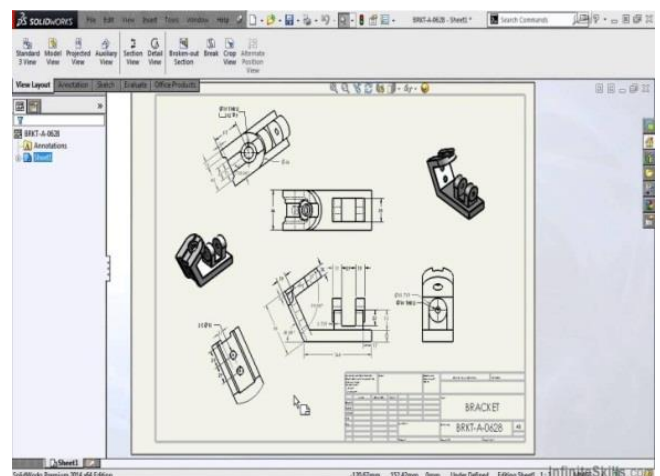


Advanced Mate Techniques

- Mate Shortcuts
- Advanced Mate Techniques
- Mechanical Mate
- Copy with Mate Options
- Inserting and Mating Simultaneously

Drawing Sheets

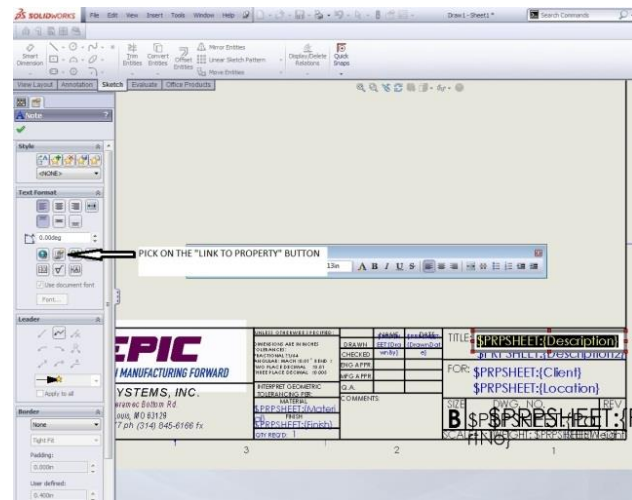
- Drawing Sheets
- Preparations for Detailing
- Preparing a Part for Detailing
- Sheets and Formats
- Terminology
- Multiple Drawing Sheets
- Creating a DrawingSheet Formats and Templates
- Drawing Templates
- Drawing Templates and Sheet Formats
- Levels of Customizing
- Properties in the Template
- User Defined Properties
- Inserting Custom Properties
- SOLIDWORKS Special Properties
- What makes them Special?
- Inserting OLE Objects
- BOM Anchor Point
- Saving a Sheet Format
- Saving a Drawing Template
- Adding Relations to the Format
- Templates with Predefined Views



- Using a Drawing Template
- Title Block Fields
- Choosing What to Edit
- Filling in the Title Block
- Updating Sheet Formats
- Importing Legacy Templates

Bill of Materials and Tables

- Creating and Managing a Bill of Materials
- The Bill of Materials
- Adding a BOM
- Insert Bill of Materials
- Modifying the BOM
- Shift Column
- Add Column
- Table Format
- Splitting a BOM



NOTE: For More Details contact vinay@ckonnect.in , 9886755854, 8881144856

Thanks & Regards,

VINAY. S
Manager
Conceptia Konnect