

SOLIDWORKS TRAINING COURSE SUMMARY

SOLIDWORKS Advance course gives you all the power of SOLIDWORKS Foundation course with additional capabilities that increase productivity, ensure accuracy, and help you communicate your design information more effectively. It also provides you the productivity Enhancement tool built upon the industry best practice;

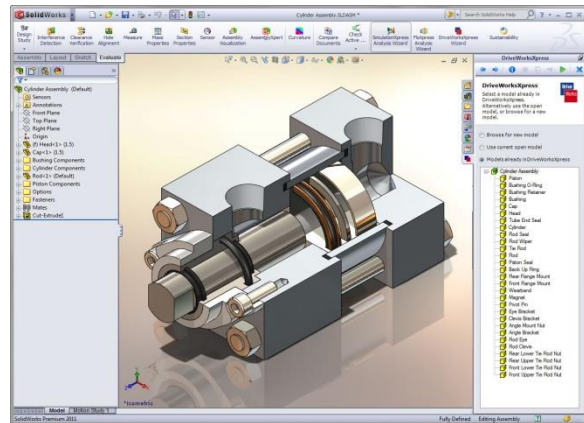
SOLIDWORKS FOUNDATION

SOLIDWORKS Basics and the User Interface

- Design Intent
- File References
- Object linking & Embedding (OLE)

The SOLIDWORKS User Interface

- Pull-down Menus
- Command Manager Tabs
- Feature Manager Design Tree
- Shortcuts
- Options

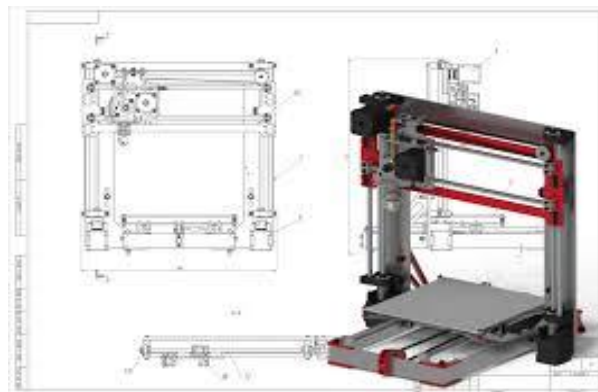


Introduction to Sketching

- 2D Sketching
- Stages in the Process
- Sketching
- Default Planes
- Sketch Geometry
- Status of the Sketch
- What Controls Design Intent?
- Instant 2D

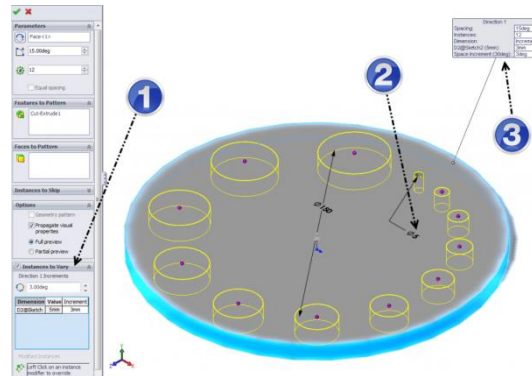
Basic Part Modelling

- Stages in the Process
- Choosing the best Profile
- Choosing the best Sketch Plane
- Details of the Part
- Sketching on the planar face
- Editing Tools



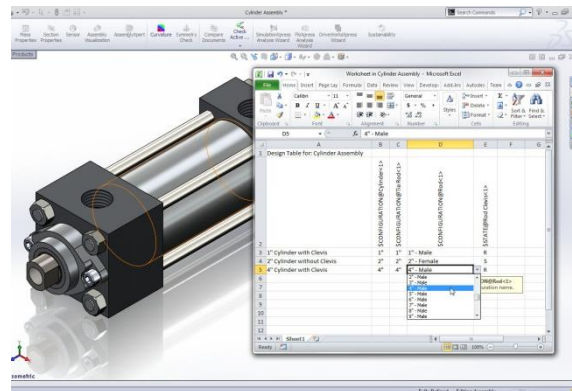
Symmetry and Draft

- Stages in the Process
- Symmetry in the sketch
- View Options
- Using Model Edges in a Sketch
- Creating Trimmed Sketch Geometry
- Patterning
- Patterning a Solid Body
- Up to Reference



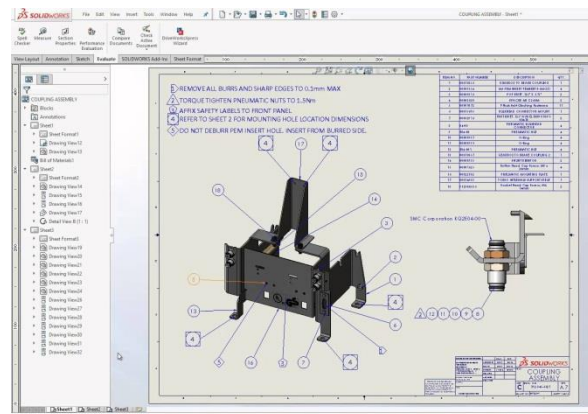
SOLIDWORKS Advance Topics

- Revolved Features
- Shelling and Ribs
- Editing: Repairs
- Editing: Design Changes
- Configurations
- Bottom-Up Assembly Modelling
- Using Assemblies



SOLIDWORKS Drawings

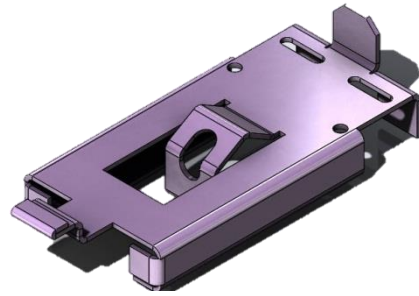
- Drawing Sheets and Views
- Dimensions
- Sheet Formats and Templates
- Assembly Drawing Views
- Bill of Materials and Tables
- Performance and Display Issues
- Drawing References and Comparison



SOLIDWORKS Advance

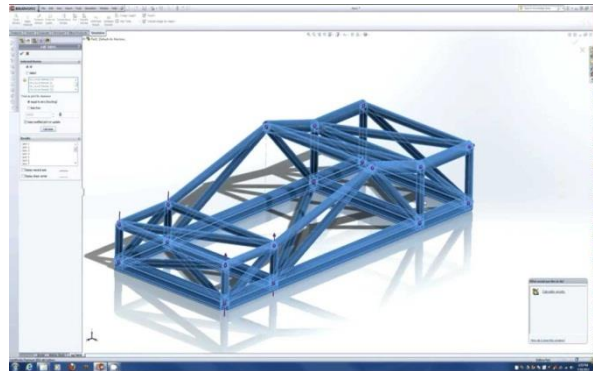
Industry vertical Tools:-

- Design & Process of Sheet Metal Industries
- WeldMents Technologies
- Introduction to Mould Tools
- Surface Options



Productivity Enhancement Tools:-

- Multi-Body Concept
- Top-Down Design Approach
- Layout Design
- Introduction to costing Tool
- Reverse Engineering method(3D Scanning)
- Tolerance Stack-up Analysis
- Advanced Photorealistic Rendering

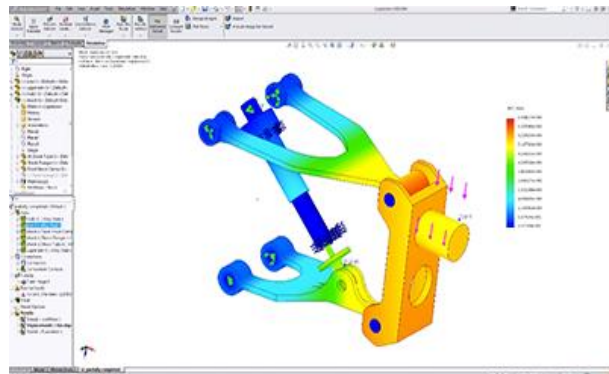


SOLIDWORKS Software Customization Tools:-

- Library Tool creation
- Option on centralize Library
- Software Customization
- Template Customization

Introduction to Analysis:-

- Introduction to FEA & Simulation.
- Introduction to Material Library
- Study on Leaner Static Analysis
- Basic Motion Study



NOTE: For More Details feel free to contact us vinay@ckonnect.in , 9886755854, 8881144856

Thanks & Regards,

VINAY. S
Technical Manager
Conceptia Konnect

Conceptia Software Technologies Private Limited

22, 2nd Floor, 6th Block, 3rd Phase, Banashankari 3rd Stage, Bangalore-560 085, India

Phone +91 80 41558618

Fax +91 80 26798959

Email info@ckonnect.in