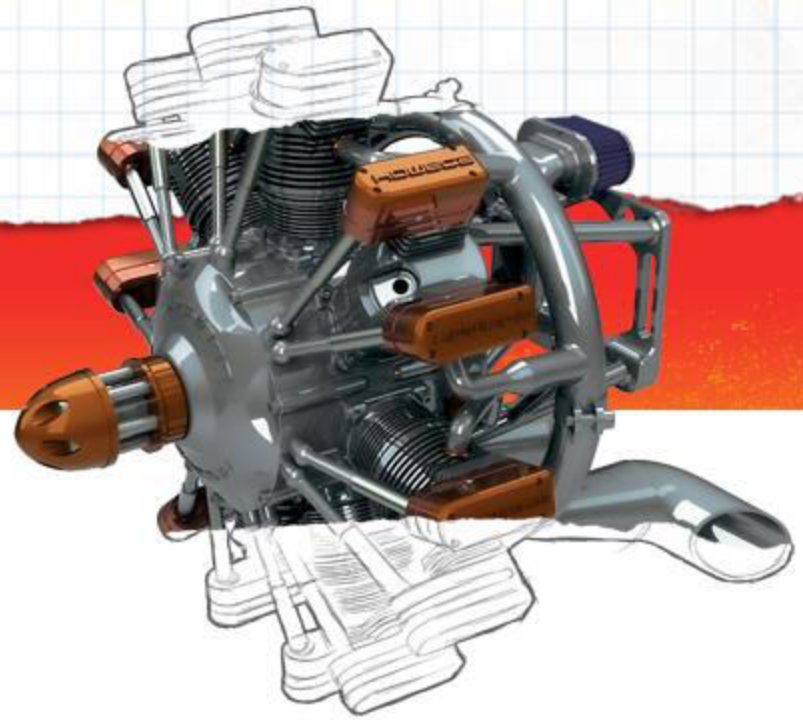


SOLIDWORKS

INNOVATION DAY 2011



Customer Talk – Case Study

Sagar



www.rgsi.com

Project Lead

RGBSI, India



SOLIDWORKS

Authorized
Reseller

Conceptia **KONNECT**

Product Sales Division - Conceptia

COMPANY

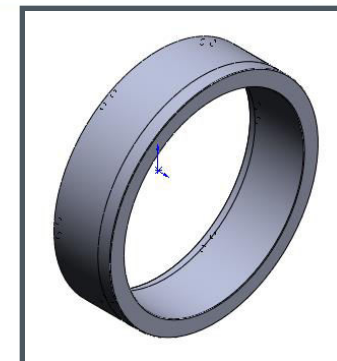
- RGBSI is a premier provider of best in class Vendor Management Solutions, staffing & recruiting services, Payroll Services, Technology services and Engineering Design Services to Global clients.
- Headquartered in Metro Detroit, Michigan, RGBSI has several offices in US, Canada, Germany, China and India.
- We offer global presence at the same time being local to our customers. RGBSI has seen consistent growth each year and is listed as one of the fastest-growing private companies in America by Inc. magazine (2009).
- RGBSI is a certified Minority Business Enterprise as well as certified ISO9001:2008 and AS9100: 2004 Rev B Quality Systems.
- RGBSI provides customized engineering design services that meets your project requirements.
- We specialize in delivering cost effective, high productivity and timely services ranging from all types of CAD, CAM and CAE solutions leading to complete Product Design & Development.
- Our collaborative manufacturing capabilities lead to next level of the value chain-providing prototype, tooling as well as manufacturing the actual components.
- RGBSI delivers a full range of manufacturing solutions and is the preferred partner for those companies seeking an outsourcing partner to design and/or manufacture their equipment or products.

CHALLENGE

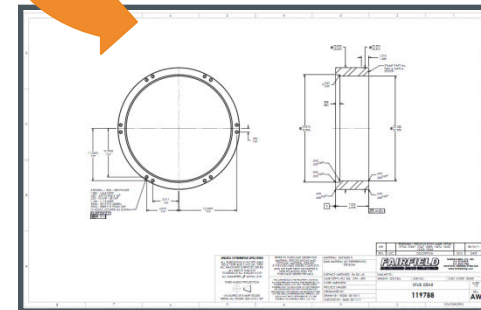
Better Visualization for interference and geometry check and intricate shapes
Design a Quality product at faster rate
Minimize detailing errors
Eliminate Trial and Error concept of design

SOLIDWORKS BENEFITS

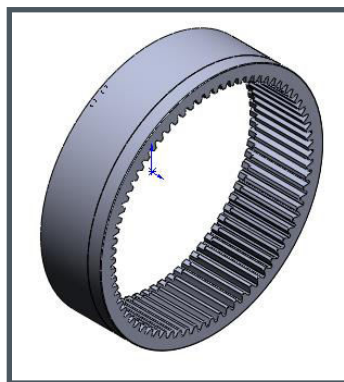
- Shortened design cycles by 40 percent.
- All the Technical specification were maintained to 0.01mm.
- Decreased design errors by 30 percent.
- Ease of use.
- RGBSI created different detailing sheets for basic machining & finished operation
- Critical features & shapes were designed as per the given input data



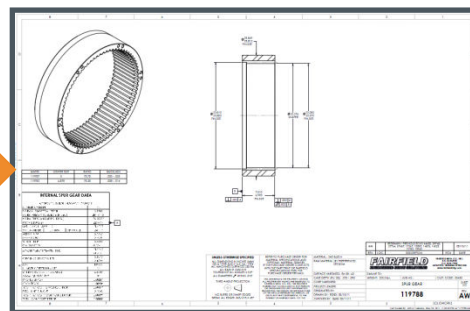
Basic machining model



Basic machining drawing



Final Model



Final Drawing

“SolidWorks is easy to learn and create designs in no time. It has many features that makes designer to concentrate more on design rather creating 3D model ”

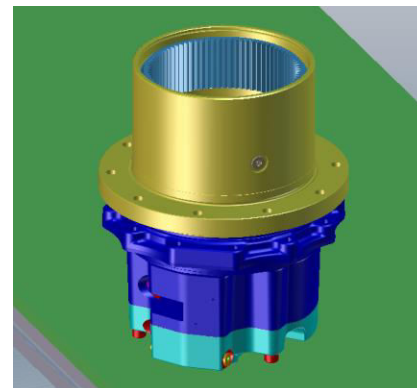
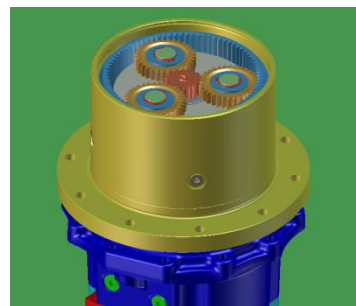
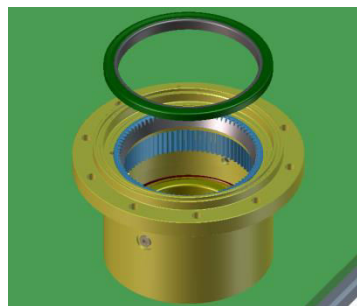
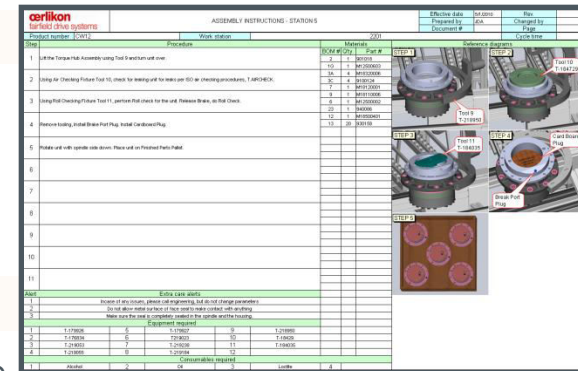
Raghavendra
Manager

CHALLENGE

- Creation of Animations for the sequential Assembly procedures of the Torque Hubs
- Creation of these Animations with respect to the “Fairfield” standards
- Better customer satisfaction during post sale services

3DVIA COMPOSER BENEFITS

- Layman operator can easily understand the assembly procedures in manufacturing place.
- Greater Visualization.
- Technical Documentation-*No more burden!*
- Non CAD Engineer can use 3DVia Composer
- Updated Documentation as and when Design changes.
- Supports many documentation standards
- Created Technical Documentation parallel to design process



“3DVia Composer is more than creating animations and extracting the graphical content. It is a better tool for adopting latest technology in documentation.”

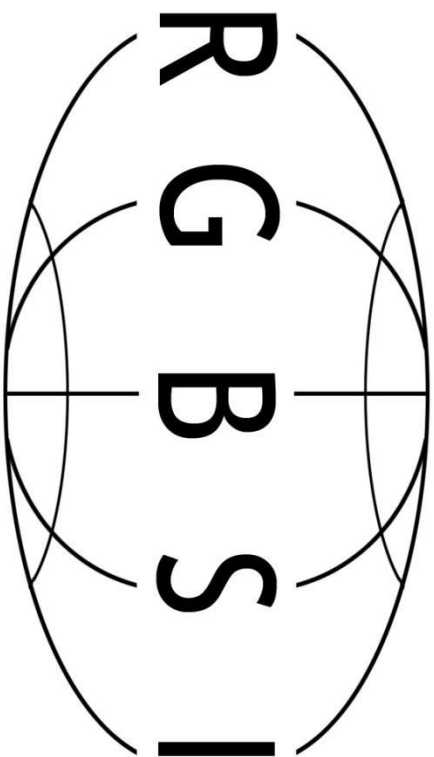
Sagar
Project Lead



Thank You



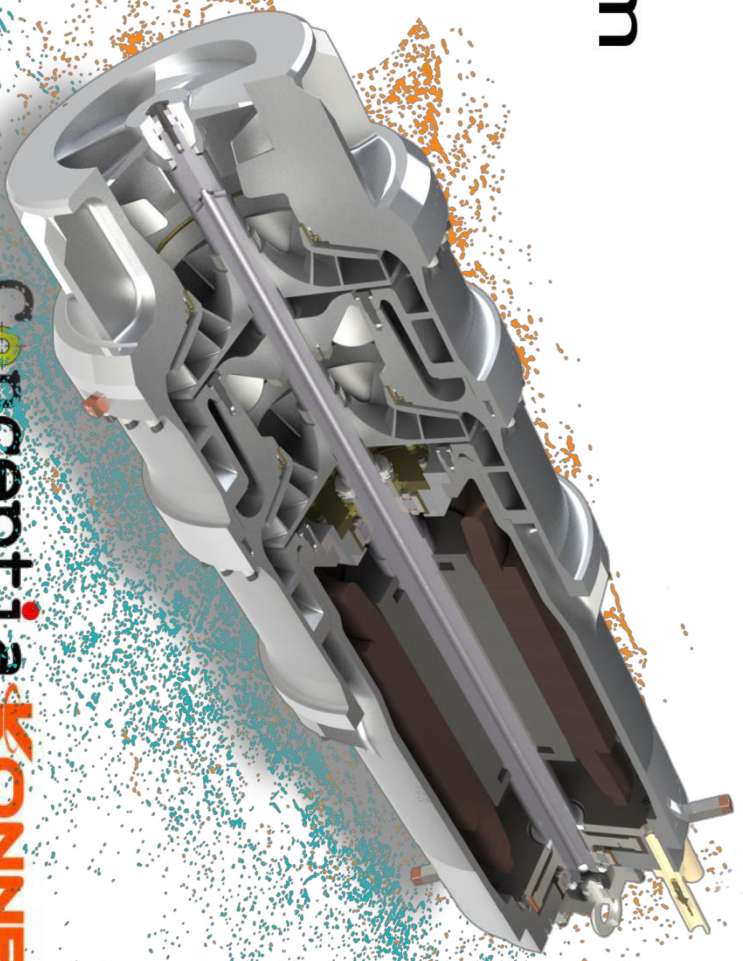
SOLIDWORKS
INNOVATION DAY 2011



www.rgbsi.com



I © Dassault Systèmes | Confidential Information |



Conceptia **KONNECT**

Product Sales Division - Conceptia