

## SOLIDWORKS TRAINING COURSES SUMMARY

Exclusive from Conceptia Konnect, SOLIDWORKS Foundations course has been developed to deliver the power and potential of SOLIDWORKS through a structured programme built upon the industry best practice. Let us support you to achieve the ultimate in design efficiency, productivity and innovation in the quickest time possible. This programme will teach you how to use SOLIDWORKS mechanical design software to build parametric models of parts and assemblies, and how to make drawings of those parts and assemblies.

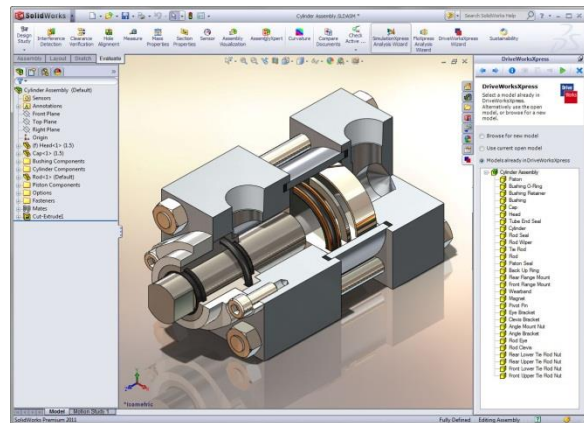
### SOLIDWORKS FOUNDATION

#### SOLIDWORKS Basics and the User Interface

- Design Intent
- File References
- Object linking & Embedding (OLE)

#### The SOLIDWORKS User Interface

- Pull-down Menus
- Command Manager Tabs
- Feature Manager Design Tree
- Shortcuts
- Options

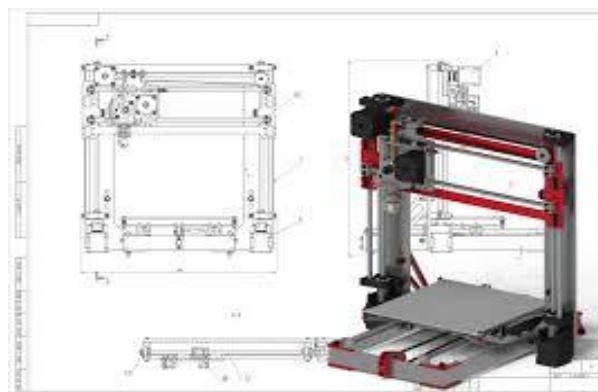


#### Introduction to Sketching

- 2D Sketching
- Stages in the Process
- Sketching
- Default Planes
- Sketch Geometry
- Status of the Sketch
- What Controls Design Intent?
- Instant 2D

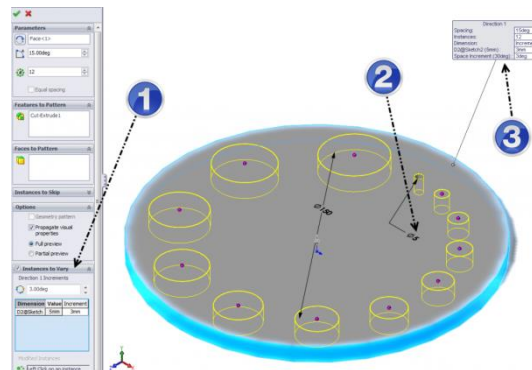
#### Basic Part Modelling

- Stages in the Process
- Choosing the best Profile
- Choosing the best Sketch Plane
- Details of the Part
- Sketching on the planar face
- Editing Tools



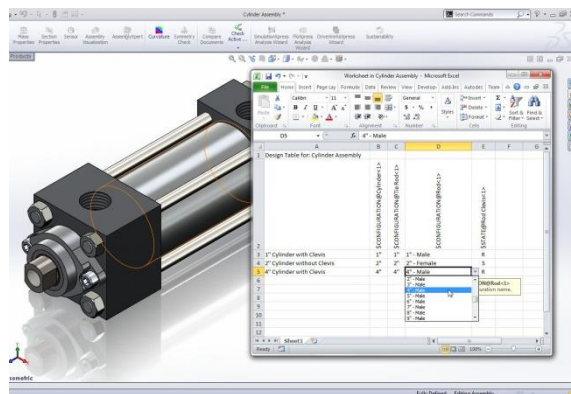
## Symmetry and Draft

- Stages in the Process
- Symmetry in the sketch
- View Options
- Using Model Edges in a Sketch
- Creating Trimmed Sketch Geometry
- Patterning
- Patterning a Solid Body
- Up to Reference



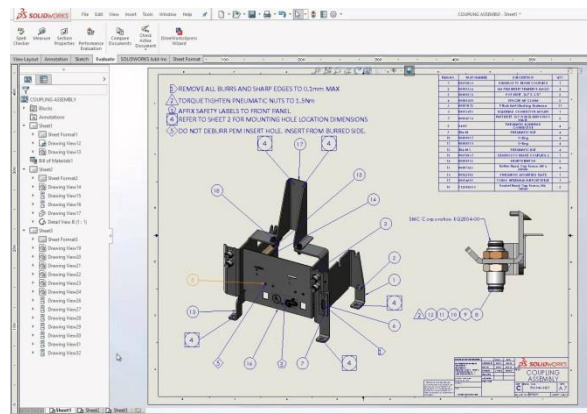
## SOLIDWORKS Advance Topics

- Revolved Features
- Shelling and Ribs
- Editing: Repairs
- Editing: Design Changes
- Configurations
- Bottom-Up Assembly Modelling
- Using Assemblies



## SOLIDWORKS Drawings

- Drawing Sheets and Views
- Dimensions
- Sheet Formats and Templates
- Assembly Drawing Views
- Bill of Materials and Tables
- Performance and Display Issues
- Drawing References and Comparison



**NOTE: For More Details feel free to contact us [vinay@ckonnect.in](mailto:vinay@ckonnect.in) , 9886755854, 8881144856**

**Thanks & Regards,**

**VINAY. S**

**Technical Manager**

**Conceptia Konnect**

**Conceptia Software Technologies Private Limited**

# 22, 2<sup>nd</sup> Floor, 6th Block, 3rd Phase, Banashankari 3rd Stage, Bangalore-560 085, India

Phone +91 80 41558618

Fax +91 80 26798959

Email [info@ckonnect.in](mailto:info@ckonnect.in)